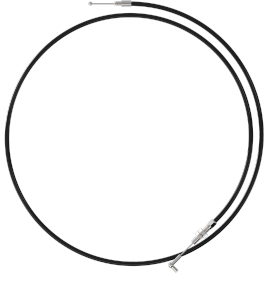


VECTOR CABLES



Vector cables to connect Vector latchpoints, for example Vector rotary latches, Vector actuators and Vector pull handles. Low friction and tension ensures precise and smooth motion control. The L-shaped end-fittings attach easily and securely to the latch points and actuators. Vector cables are equipped with threads for adjustment on both ends, making it easy to adjust on both latch point and actuator side. Other lengths are available upon request.

DIN EN
61373

材质

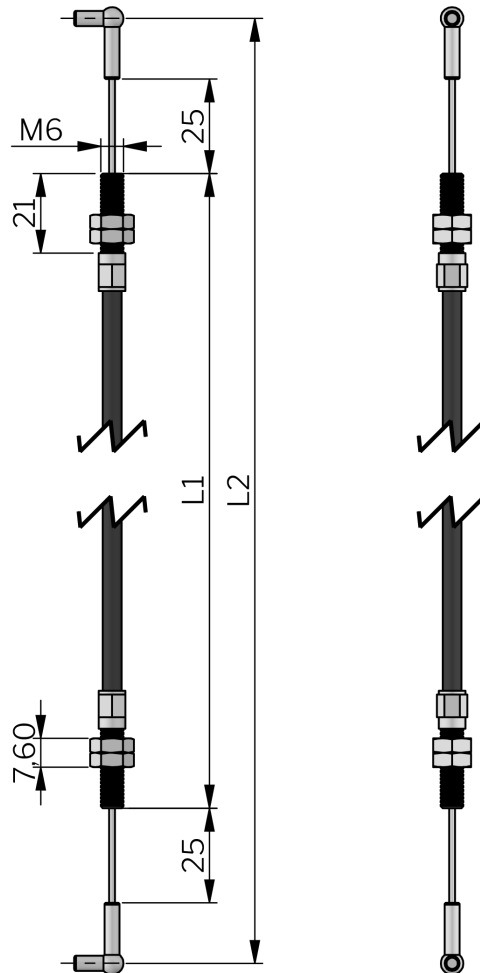
Cable: High carbon steel
Cable casing: PVC
End Fittings: 锌合金
螺母: Zinc die cast, chrome

相关产品

类似产品: 2-746

Needed components for a complete system:
2-835, 2-850, 2-860, 2-750-01, 2-750-02, 2-750-03, 2-750-04, 2-750-07, 2-769

索引编号见网站 industrilas.com



Industrilas
— When access counts —

每一栏选择对应的数字创建产品编号 (AAAA-BCDDEE-HHHH)

AAAA 款式	B Material wire	C Material cover	DD End-fitting	EE Adjustment threads	HHHH	Length L1 mm	Length L2 mm
5280 Vector wire	1 钢	1 Plastic	10 2 x L-shape, zinc	10 2 x 21 mm / M6	0300	300	382
					0500	500	582
					0900	700	782
					1200	1500	982
					582	582	1282
					982	982	1582